



# 5FPI

**Flat Face Female couplings for Power Beyond applications, as specified by ISO 17567.**

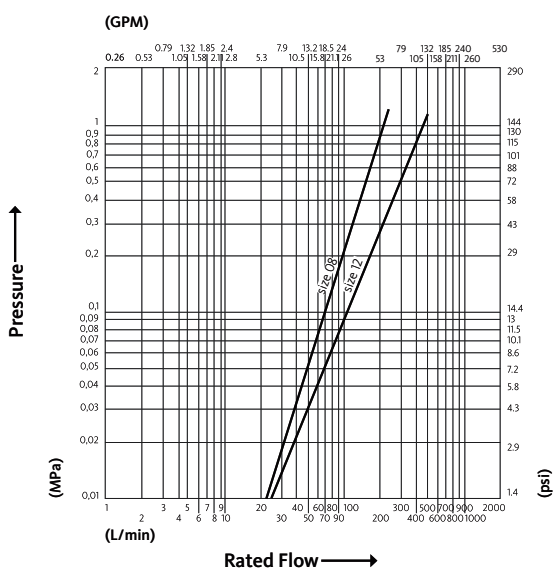
Female Couplings specifically designed for Power Beyond applications, interchangeable according to ISO 16028. Can be connected and disconnected under residual pressure. Equipped with oil collecting port for clean oil.



## Applications



## Pressure Drop



Test performed according to ISO 18869

## Technical Specifications

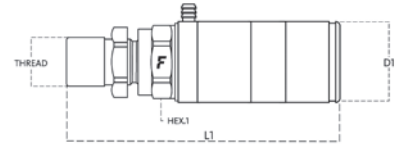
dash	Size		Working Pressure (MPa)	Flow Rate (l/min)	Spillage (ml)	Force to Connect (N)	Burst pressure (MPa)		
	mm	inch					Male	Female	Male + Female
08	12.5	1/2"	25	92	0.01	300	100	100	100
10	16	5/8"	25	115	0.1	360	100	100	100
12	20	3/4"	25	152	0.03	345	100	100	100

Material	<b>Steel</b>
Seals	<b>NBR; PUR</b>
Working temperatures	<b>- 25 °C to + 100 °C</b>
Surface treatment	<b>MATE 500 (CrIII)</b>
Series Interchange	<b>ISO 16028 - ISO 17567</b>

Valve Type	<b>Flat</b>
Connection	<b>Push to Connect</b>
Disconnection	<b>Pull to Disconnect</b>
Connection Under Pressure	<b>Allowed Male Half up to W.P. and residual in Female Half in 5FPI</b>

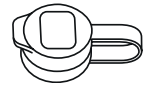


# 5FPI

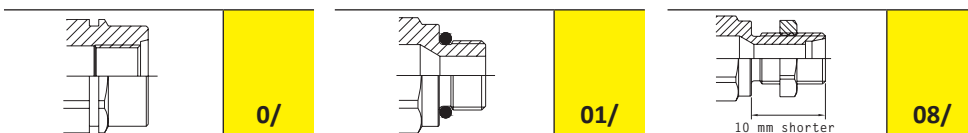


Size		Thread details			FEMALE							
mm	inch	Thread Type	Standard	Thread	Part Number	L (L1 + Thread)		D1		HEX1		
						mm	inch	mm	inch	mm	inch	
12.5	1/2"	01/ METRIC	ISO 6149-2	M27x2 MALE	5FPI081/272F A	133.9	5.27	46	1.81	38	1.5	
16	5/8"	0/ BSPP	BS 5380	3/4 BSP FEMALE ORB	5FPI10 34GAS F	130	7.44	38	1.5	58	2.28	
16	5/8"	08/ METRIC	ISO 8434-1-S	M36X2 MALE BULKHEAD SHORT 25S	5FPI108/3620 FD	130	7.44	38	1.5	58	2.28	
20	3/4"	01/ METRIC	ISO 6149-2	M27x2 MALE	5FPI121/272F A	163.6	6.44	58	2.28	38	1.5	

## 5FPI Accessories



### PVC dust protections



# Power Beyond

Full set of flat face couplings for Power Beyond rear attachments.  
 Faster offer for Power Beyond covers all ports composing the Power Beyond configuration:

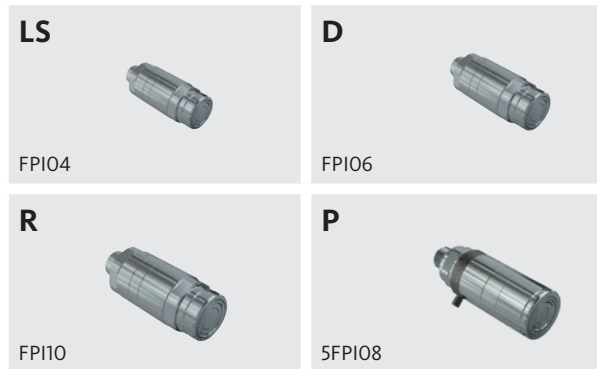
<b>Load Signal Port</b>	<b>Drain Port</b>
<b>Return Port</b>	<b>Pressure Port</b>

Sizes in accordance with class 1 to 3 of ISO 17567 standard.

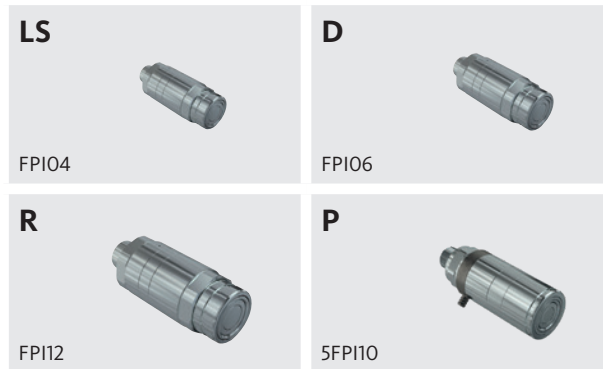
- Class 1** – Up to 45 l/min
- Class 2** – 45 to 74 l/min
- Class 3** – 74 to 100 l/min
- Class 4** – 100 to 220 l/min

## Faster couplings range for Power Beyond applications

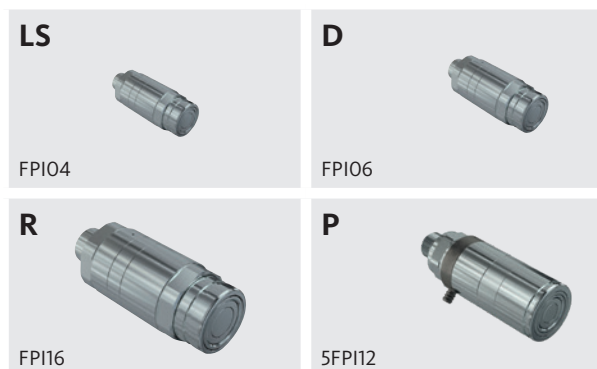
**Flow Class 1**  
Up to 45 l/min



**Flow Class 2**  
45 to 74 l/min



**Flow Class 3**  
74 to 100 l/min



**Flow Class 4**  
100 to 220 l/min

